

## Millimar DR50 / DR20

### 2-Jet Air Ring Gage

#### FEATURES

- Mahr / Mahr Federal nozzle ring gages have a large clearance tolerance, making them easier to insert into the bore to be measured and allowing a greater measuring range
- Long service life: Thanks to a larger plug gage spacing and (optional) hard chrome-plated finish to the body, the nozzle plug gage has an extended service life
- The recessed measuring nozzles are located deep in the body of the plug gage, protecting them from damage
- Large nozzle dimensions prevent clogging with dirt and oil
- **Order information:** Please always state when ordering: Transmission ratio of the display unit (e.g. 2500:1), the nominal size to be measured and the specified workpiece tolerance



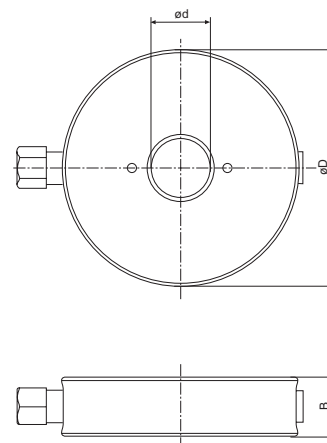
#### TECHNICAL DATA

Order no.	Product type	Nominal size		Model	Magnification	Measuring span
		mm	inch			
2093005	DR50	6.299 – 7.592	.2480 – .3000	hardened steel	2500:1	76
2093006	DR50	7.595 – 9.294	.3001 – .3650	hardened steel	2500:1	76
2093007	DR50	9.296 – 13.002	.3651 – .5100	hardened steel	2500:1	76
2093008	DR50	13.005 – 21.003	.5101 – .8250	hardened steel	2500:1	76
2093009	DR50	21.006 – 25.400	.8251 – 1.0000	hardened steel	2500:1	76
2093010	DR50	25.403 – 38.351	1.0001 – 1.5100	hardened steel	2500:1	76
2093011	DR50	38.354 – 44.450	1.5101 – 1.7500	hardened steel	2500:1	76
2093012	DR50	44.453 – 50.797	1.75001 – 2.0000	hardened steel	2500:1	76
2093013	DR50	50.800 – 63.500	2.0001 – 2.5000	hardened steel	2500:1	76
2093025	DR20	6.299 – 7.592	.2480 – .3000	hardened steel	5000:1	38
2093026	DR20	7.595 – 9.294	.3001 – .3650	hardened steel	5000:1	38
2093027	DR20	9.296 – 13.002	.3651 – .5100	hardened steel	5000:1	38
2093028	DR20	13.005 – 21.003	.5101 – .8250	hardened steel	5000:1	38
2093029	DR20	21.006 – 25.400	.8251 – 1.0000	hardened steel	5000:1	38
2093030	DR20	25.403 – 38.351	1.0001 – 1.5100	hardened steel	5000:1	38
2093031	DR20	38.354 – 44.450	1.5101 – 1.7500	hardened steel	5000:1	38
2093032	DR20	44.453 – 50.797	1.75001 – 2.0000	hardened steel	5000:1	38
2093033	DR20	50.800 – 63.500	2.0001 – 2.5000	hardened steel	5000:1	38

# Millimar DR50 / DR20

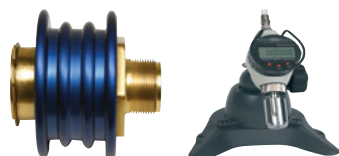
## 2-Jet Air Ring Gage

Order no.	D	Nominal size	B
	mm	mm	mm
2093005	76.2	6.299 -7.592	25.40
2093006	76.2	7.595 -9.294	25.40
2093007	76.2	9.296 -13.002	25.40
2093008	76.2	13.005 -21.003	25.40
2093009	76.2	21.006 -25.400	25.40
2093010	101.6	25.403 -38.351	25.40
2093011	101.6	38.354 -44.450	25.40
2093012	127	44.453 -50.797	25.40
2093013	127	50.800 -63.500	25.40
2093025	76.2	6.299 -7.592	25.40
2093026	76.2	7.595 -9.294	25.40
2093027	76.2	9.296 -13.002	25.40
2093028	76.2	13.005 -21.003	25.40
2093029	76.2	21.006 -25.400	25.40
2093030	101.6	25.403 -38.351	25.40
2093031	101.6	38.354 -44.450	25.40
2093032	127	44.453 -50.797	25.40
2093033	127	50.800 -63.500	25.40

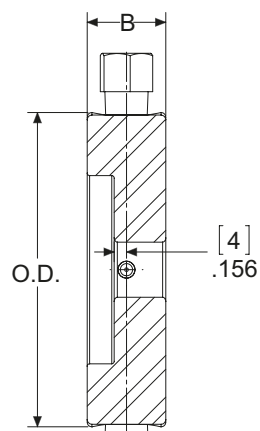


### ACCESSORIES

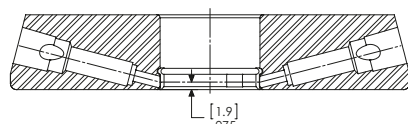
Order no.	Product name	g	Product type
2237666	Standard plastic handle	3/8"-32	
2239307	Universal bench mount	3-8"/32	
2240993	Shut off slide valve	3/8"-32	
2202074	Connecting hose, 0.9 m	3/8"-32	AHO-1
2202075	Connecting hose, 1.8 m	3/8"-32	AHO-10
2202094	Connecting hose, 1.5 m	3/8"-32	AHO-8



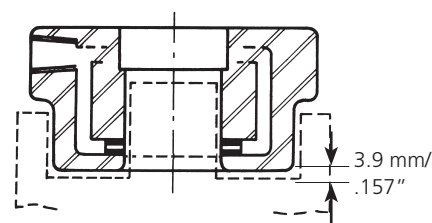
For applications where OD's need to be checked near a shoulder, or where part length is restricted, contact Mahr Federal for technical assistance about shoulder and Snout Type Air Rings.



Counterbore Type



Shoulder Type  
(for 2500:1 & 4000:1  
5000:1 & 8000:1 only)



Snout Types

# Millimar DR50-3 / DR20-3

## 3-Nozzle Ring Gage

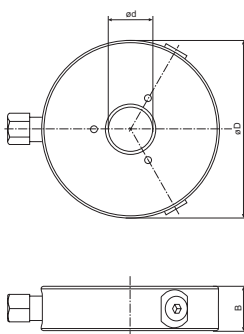
### FEATURES

- Mahr / Mahr Federal nozzle ring gages have a large clearance tolerance, making them easier to insert into the bore to be measured and allowing a greater measuring range
- Long service life: Thanks to a larger plug gage spacing and (optional) hard chrome-plated finish to the body, the nozzle plug gage has an extended service life
- The recessed measuring nozzles are located deep in the body of the plug gage, protecting them from damage
- Large nozzle dimensions prevent clogging with dirt and oil
- **Order information:** Please always state when ordering: Transmission ratio of the display unit (e.g. 2500:1), the nominal size to be measured and the specified workpiece tolerance



### TECHNICAL DATA

Order no.	Product type	Nominal size	Model	Magnification	Measuring span	Compatibility
		mm			µm	
2093015	DR50-3	6.299 – 7.592	hardened steel	2500:1	76	Federal
2093016	DR50-3	7.595 – 9.294	hardened steel	2500:1	76	Federal
2093017	DR50-3	9.296 – 13.002	hardened steel	2500:1	76	Federal
2093018	DR50-3	13.005 – 21.003	hardened steel	2500:1	76	Federal
2093019	DR50-3	21.006 – 25.400	hardened steel	2500:1	76	Federal
2093020	DR50-3	25.403 – 38.351	hardened steel	2500:1	76	Federal
2093021	DR50-3	38.354 – 44.450	hardened steel	2500:1	76	Federal
2093022	DR50-3	44.453 – 50.797	hardened steel	2500:1	76	Federal
2093023	DR50-3	50.800 – 63.500	hardened steel	2500:1	76	Federal
2093035	DR20-3	6.299 – 7.592	hardened steel	5000:1	38	Federal
2093036	DR20-3	7.595 – 9.294	hardened steel	5000:1	38	Federal
2093037	DR20-3	9.296 – 13.002	hardened steel	5000:1	38	Federal
2093038	DR20-3	13.005 – 21.003	hardened steel	5000:1	38	Federal
2093039	DR20-3	21.006 – 25.400	hardened steel	5000:1	38	Federal
2093040	DR20-3	25.403 – 38.351	hardened steel	5000:1	38	Federal
2093041	DR20-3	38.354 – 44.450	hardened steel	5000:1	38	Federal
2093042	DR20-3	44.453 – 50.797	hardened steel	5000:1	38	Federal
2093043	DR20-3	50.800 – 63.500	hardened steel	5000:1	38	Federal



Order no.	B	D	Nominal size
	mm	mm	mm
2093015	25.40	76.2	6.299 – 7.592
2093016	25.40	76.2	7.595 – 9.294
2093017	25.40	76.2	9.296 – 13.002
2093018	25.40	76.2	13.005 – 21.003
2093019	25.40	76.2	21.006 – 25.400
2093020	25.40	101.6	25.403 – 38.351
2093021	25.40	101.6	38.354 – 44.450
2093022	25.40	127	44.453 – 50.797
2093023	25.40	127	50.800 – 63.500

Order no.	B	D	Nominal size
	mm	mm	mm
2093035	25.40	76.2	6.299 – 7.592
2093036	25.40	76.2	7.595 – 9.294
2093037	25.40	76.2	9.296 – 13.002
2093038	25.40	76.2	13.005 – 21.003
2093039	25.40	76.2	21.006 – 25.400
2093040	25.40	101.6	25.403 – 38.351
2093041	25.40	101.6	38.354 – 44.450
2093042	25.40	127	44.453 – 50.797
2093043	25.40	127	50.800 – 63.500

### ACCESSORIES

Order no.	Product name	g	Product type
2202074	Connecting hose, 0.9 m	3/8"–32	AHO-1
2202075	Connecting hose, 1.8 m	3/8"–32	AHO-10
2202094	Connecting hose, 1.5 m	3/8"–32	AHO-8
2237666	Standard plastic handle	3/8"–32	
2239307	Universal bench mount	3-8"/32	
2240993	Shut off slide valve	3/8"–32	

